

<b>Selection Form</b>	<b>Rotating Machine (Cylindrical Object)</b>	Requested Date _____
-----------------------	--	----------------------

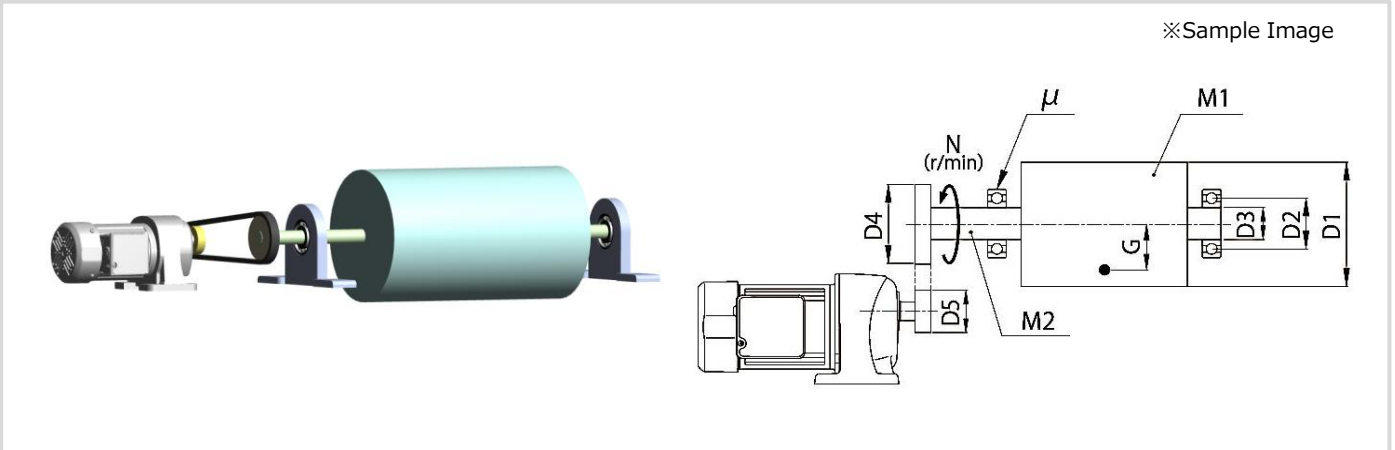
Please check the corresponding item in

■ **Select gearmotor series** ※If you are unable to make a selection, please leave it blank.

- Induction Gearmotor(MID series / MINI series)     IPM Gearmotor(Speed Control Type)  
 Battery-powered Type Gearmotor(DC12V/24V/48V)     Requested Model ( \_\_\_\_\_ )  
 ※If you already know the mode number, please enter that in ( \_\_\_\_\_ ).

■ **Output shaft type selection** ※If you are unable to make a selection, please leave it blank.

- Parallel Shaft (G3, G type)     Right Angle Shaft (H2, H type)     Hollow Shaft (FS, F2, F3 type)     Solid Shaft (FF, F2, F3 type)



■ **Operating Condition** ※Leave the field blank if you are not sure

- |   |  |
|---|--|
| <ul style="list-style-type: none"> <li>● Rotational Speed of the Work      N = <input type="text"/> r/min</li> <li>● Weight of the Work                      M1 = <input type="text"/> kg</li> <li>● Weight of the rotating shaft              M2 = <input type="text"/> kg</li> <li>● Outer Diameter of the Work              D1 = <input type="text"/> mm</li> <li>● Pitch circle diameter of the rolling element bearing      D2 = <input type="text"/> mm</li> <li>● Outer diameter of the rotating shaft      D3 = <input type="text"/> mm</li> <li>● P.C.D. of Driven Side Sprocket      D4 = <input type="text"/> mm<br/>(Timing Pulley, Gear)    ※Not required for direct coupling</li> <li>● P.C.D. of Drive Side Sprocket      D5 = <input type="text"/> mm<br/>(Timing Pulley, Gear)    ※Not required for direct coupling</li> <li>● Gravity center of the Work              G = <input type="text"/> mm</li> <li>● Friction Coefficient of the Bearing      μ = <input type="text"/></li> </ul> | <ul style="list-style-type: none"> <li>● Repeated Stopping Accuracy    ※Enter only if necessary.<br/>± <input type="text"/> mm(rotating angle equivalent)</li> <li>● Power    <input type="checkbox"/> 3-phase    <input type="checkbox"/> 1-phase    <input type="checkbox"/> Battery(DC)<br/><input type="text"/> V    <input type="text"/> Hz</li> <li>● Start/Stop Frequency<br/><input type="text"/> Times / <input type="checkbox"/> Minute    <input type="checkbox"/> Hour    <input type="checkbox"/> Day</li> <li>● Brake    <input type="checkbox"/> with    <input type="checkbox"/> without</li> <li>● Inverter    <input type="checkbox"/> with    <input type="checkbox"/> without<br/>    ※Check this box only for induction gearmotors.</li> <li>● Other operating conditions such as cycle time</li> </ul> <div style="border: 1px solid black; height: 100px; margin-top: 10px;"></div> |
|---|--|

■ **Customer Information**

CS center Technical Support Desk  
E-mail : tech-cs@nissei-gtr.co.jp

Company Name _____	Address _____
Department _____	Phone Number _____
Job Title _____	FAX Number _____
Name _____	E-mail _____
Purpose of Selection <input type="checkbox"/> New Facility <input type="checkbox"/> Replacement <input type="checkbox"/> Change model <input type="checkbox"/> Others( _____ )	
Type of Industry <input type="checkbox"/> Conveyor <input type="checkbox"/> Food Processing Machine <input type="checkbox"/> Machine for Agriculture or Fisheries	
<input type="checkbox"/> Tooling Machine <input type="checkbox"/> Packaging Machine <input type="checkbox"/> Printing·Paper Converting Machine	
<input type="checkbox"/> Special Machine <input type="checkbox"/> Construction Machine <input type="checkbox"/> Electrical and Electric Equipment	
<input type="checkbox"/> Medical Equipment <input type="checkbox"/> Design Office <input type="checkbox"/> Trading Company <input type="checkbox"/> Others( _____ )	

**Notice** Please note that we may send you separate message after registering your information we have obtained through customer inquiries. Please let us know anytime if you want us to delete your information from our system.